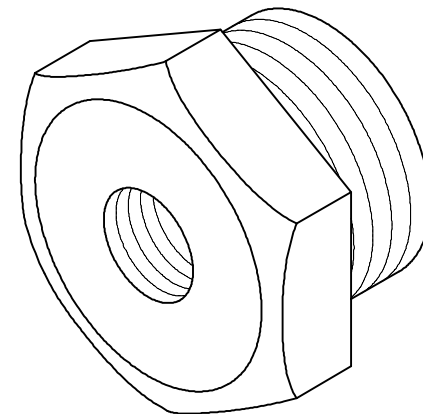

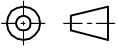


SECTION A-A



(SCALE .75)

SOURCE DRAWING - FOR REFERENCE ONLY

RELATED DOCUMENTS		3RD ANGLE PROJECTION		THIS DRAWING IS CONFIDENTIAL AND THE PROPERTY OF TURCK INC. USE OF THIS DOCUMENT WITHOUT WRITTEN PERMISSION IS PROHIBITED.		 3000 CAMPUS DRIVE MINNEAPOLIS, MN 55441 1-800-544-7769 (763) 553-7300 (763) 553-0708 fax www.turck.us	
1.				DRFT RDS		DATE 07/12/05	
2.				DSGN RT		SCALE 1=1.0	
3.		ALL DIMENSIONS DISPLAYED ON THIS DRAWING ARE FOR REFERENCE ONLY CONTACT TURCK FOR MORE INFORMATION		UNIT OF MEASUREMENT			
4.				INCH [MILLIMETER]			
MATERIAL		316 SST		DESCRIPTION		BU-R16-2X3/4NPT-SS	
FINISH				IDENTIFICATION NO.		REV	
				LT0306		A	
A DRAWING RELEASE		RDS 07/12/05		DO NOT SCALE THIS DRAWING		FILE: LT0306	
REV DESCRIPTION		BY DATE ECO NO.				SHEET 1 OF 1	

A	DRAWING RELEASE	RDS	07/12/05	
REV	DESCRIPTION	BY	DATE	ECO NO.